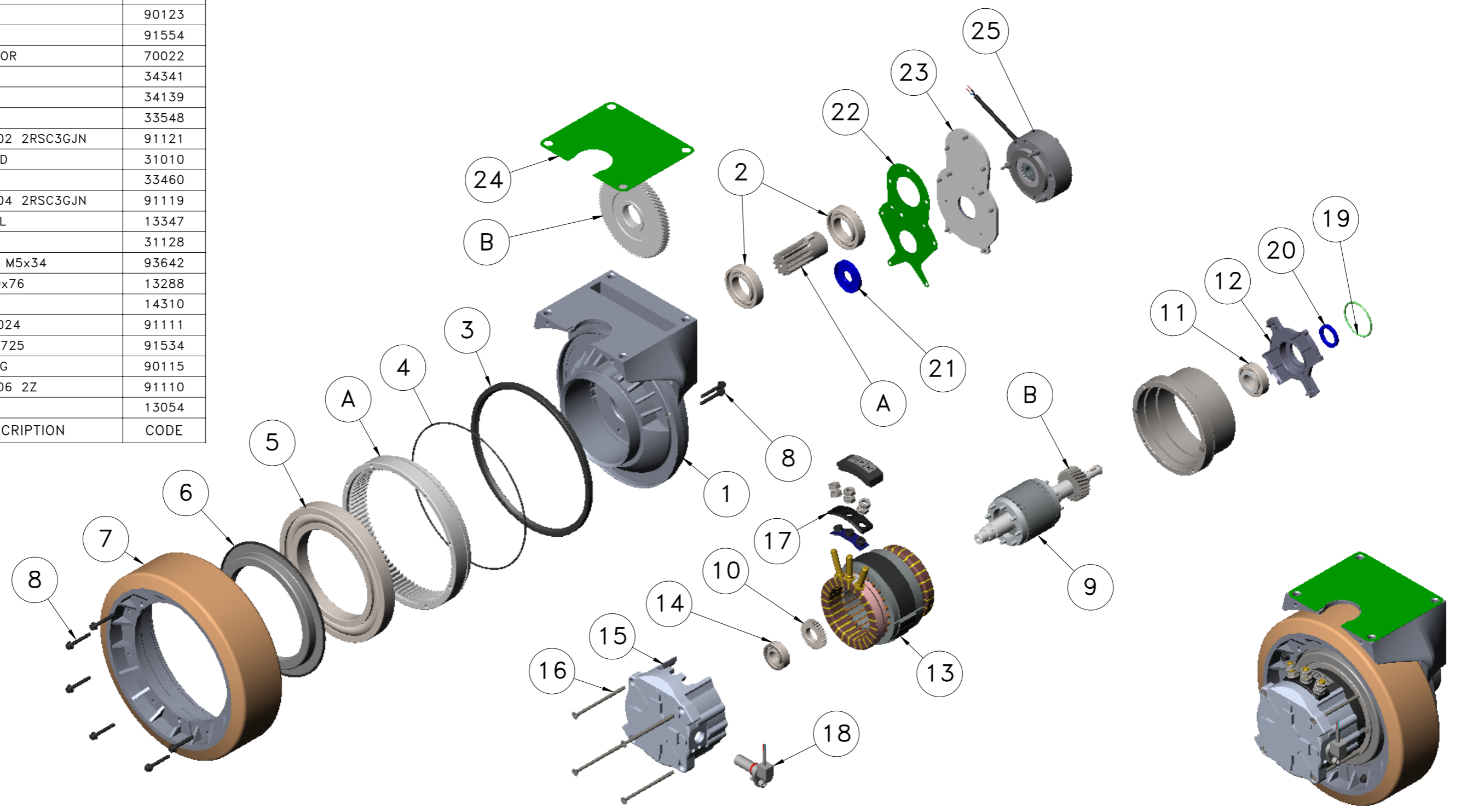



1 2 3 4 5 6

25	1	BRAKE ø84SR (UL)	11188
24	1	GASKET	13902
23	1	BRAKE PLATE	13716
22	1	BRAKE PLATE SEAL	13912
21	1	SEALING	90117
20	1	SEALING	90123
19	1	OR 3168	91554
18	1	SPEED SENSOR	70022
17	1	BASE	34341
16	4	TIE ROD	34139
15	1	FLANGE	33548
14	1	BEARING 6202 2RSC3GJN	91121
13	1	STATOR FIELD	31010
12	1	FLANGE	33460
11	1	BEARING 6004 2RSC3GJN	91119
10	1	FONIC WHEEL	13347
9	1	ROTOR	31128
8	12	SCREW TCEI M5x34	93642
7	1	WHEEL ø250x76	13288
6	1	SEALING	14310
5	1	BEARING 16024	91111
4	1	O-RING OR3725	91534
3	1	SEALING RING	90115
2	2	BEARING 6006 2Z	91110
1	1	AL CASTING	13054
POS.	Q.TY	DESCRIPTION	CODE

C		
B	GEARS	12905
A	GEARS	12946



25	1	BRAKE ø84SR (UL)	11188
24	1	GASKET	13902
23	1	BRAKE PLATE	13716
22	1	BRAKE PLATE SEAL	13912
21	1	SEALING	90117
20	1	SEALING	90123
19	1	OR 3168	91554
18	1	SPEED SENSOR	70022
17	1	BASE	34341
16	4	TIE ROD	34139
15	1	FLANGE	33548
14	1	BEARING 6202 2RSC3GJN	91121
13	1	STATOR FIELD	31010
12	1	FLANGE	33460
11	1	BEARING 6004 2RSC3GJN	91119
10	1	FONIC WHEEL	13347
9	1	ROTOR	31128
8	12	SCREW TCEI M5x34	93642
7	1	WHEEL ø250x76	13288
6	1	SEALING	14310
5	1	BEARING 16024	91111
4	1	O-RING OR3725	91534
3	1	SEALING RING	90115
2	2	BEARING 6006 2Z	91110
1	1	AL CASTING	13054
POS.	Q.TY	DESCRIPTION	CODE

DIS. <b>10186NUL-E</b>	REV <b>00</b>	DISEGNATO AN2 Studio	VISTO	APPROVAZIONE U.T.E.	Rev	Visto	 Via Danimarca, 14/14 20093 Cologno Monzese - Milano - ITALY
		DATA 16/02/2021	SCALA 1:5	AGGIORNAMENTO STRUTTURA			
MODIFICHE							<b>SPAREPARTS A1Cac R.1:20</b> <b>MOTOR CODE 30755N</b>  24 Vdc / 700 W WHEEL ø250x76 RUBBER 70÷72Sh
0	EMISSIONE	16.02.21	AN2	Project Nr. -			