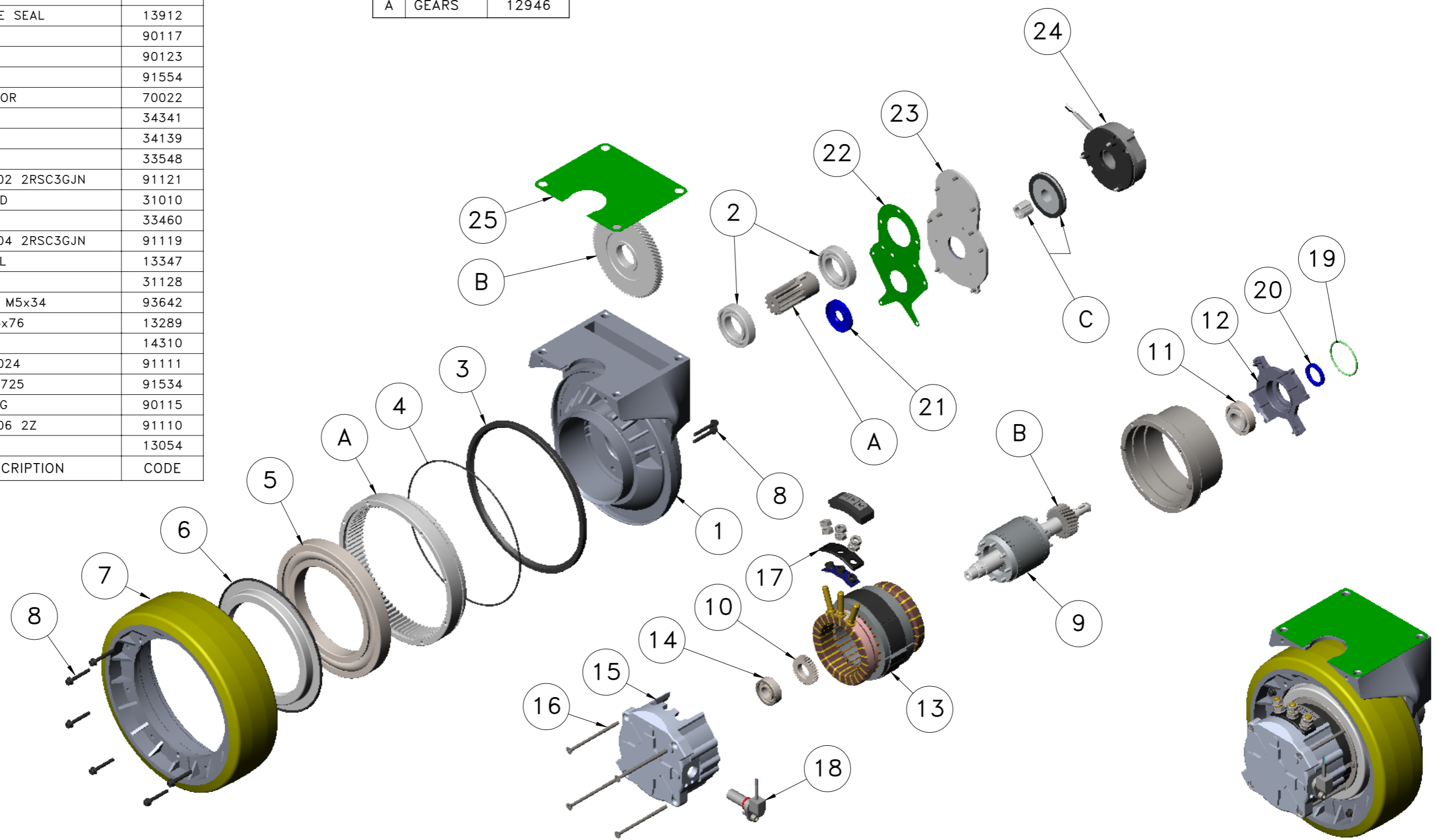


| POS. | Q.TY | DESCRIPTION | CODE |
|------|------|-----------------------|-------|
| 25 | 1 | GASKET | 13902 |
| 24 | 1 | BRAKE ø84SR | 11104 |
| 23 | 1 | BRAKE PLATE | 13716 |
| 22 | 1 | BRAKE PLATE SEAL | 13912 |
| 21 | 1 | SEALING | 90117 |
| 20 | 1 | SEALING | 90123 |
| 19 | 1 | OR 3168 | 91554 |
| 18 | 1 | SPEED SENSOR | 70022 |
| 17 | 1 | BASE | 34341 |
| 16 | 4 | TIE ROD | 34139 |
| 15 | 1 | FLANGE | 33548 |
| 14 | 1 | BEARING 6202 2RSC3GJN | 91121 |
| 13 | 1 | STATOR FIELD | 31010 |
| 12 | 1 | FLANGE | 33460 |
| 11 | 1 | BEARING 6004 2RSC3GJN | 91119 |
| 10 | 1 | FONIC WHEEL | 13347 |
| 9 | 1 | ROTOR | 31128 |
| 8 | 12 | SCREW TCEI M5x34 | 93642 |
| 7 | 1 | WHEEL ø245x76 | 13289 |
| 6 | 1 | SEALING | 14310 |
| 5 | 1 | BEARING 16024 | 91111 |
| 4 | 1 | O-RING OR3725 | 91534 |
| 3 | 1 | SEALING RING | 90115 |
| 2 | 2 | BEARING 6006 2Z | 91110 |
| 1 | 1 | AL CASTING | 13054 |

| | | |
|---|--------|-------|
| C | FERODO | 12914 |
| B | GEARS | 12905 |
| A | GEARS | 12946 |



| | | | | | | | | | |
|-------------------------|------------------|--------------------|--------------|----------------------------|--|-----|---------------|---|--|
| DIS. 10187N-E | REV 00 | DISEGNATO PD | VISTO | AGGIORNAMENTO STRUTTURA | APPROVAZIONE U.T.E. | Rev | Visto |  Via Danimarca, 14/14 20093 Cologno Monzese - Milano - ITALY | |
| | | DATA 13/05/2016 | SCALA 1:5 | | | | | | |
| MODIFICHE | | | | | SPAREPARTS A1C AC R.1:20 MOTOR CODE 30755N 24 Vcc / 700 W WHEEL ø245x76 POLYURETHANE | | | | |
| 0 EMISSIONE | | | | | 13.05.16 | PD | Project Nr. - | | |

CODICE 10187N-E

Formato: A3 Disegno eseguito con SW non sono ammesse variazioni o modifiche manuali