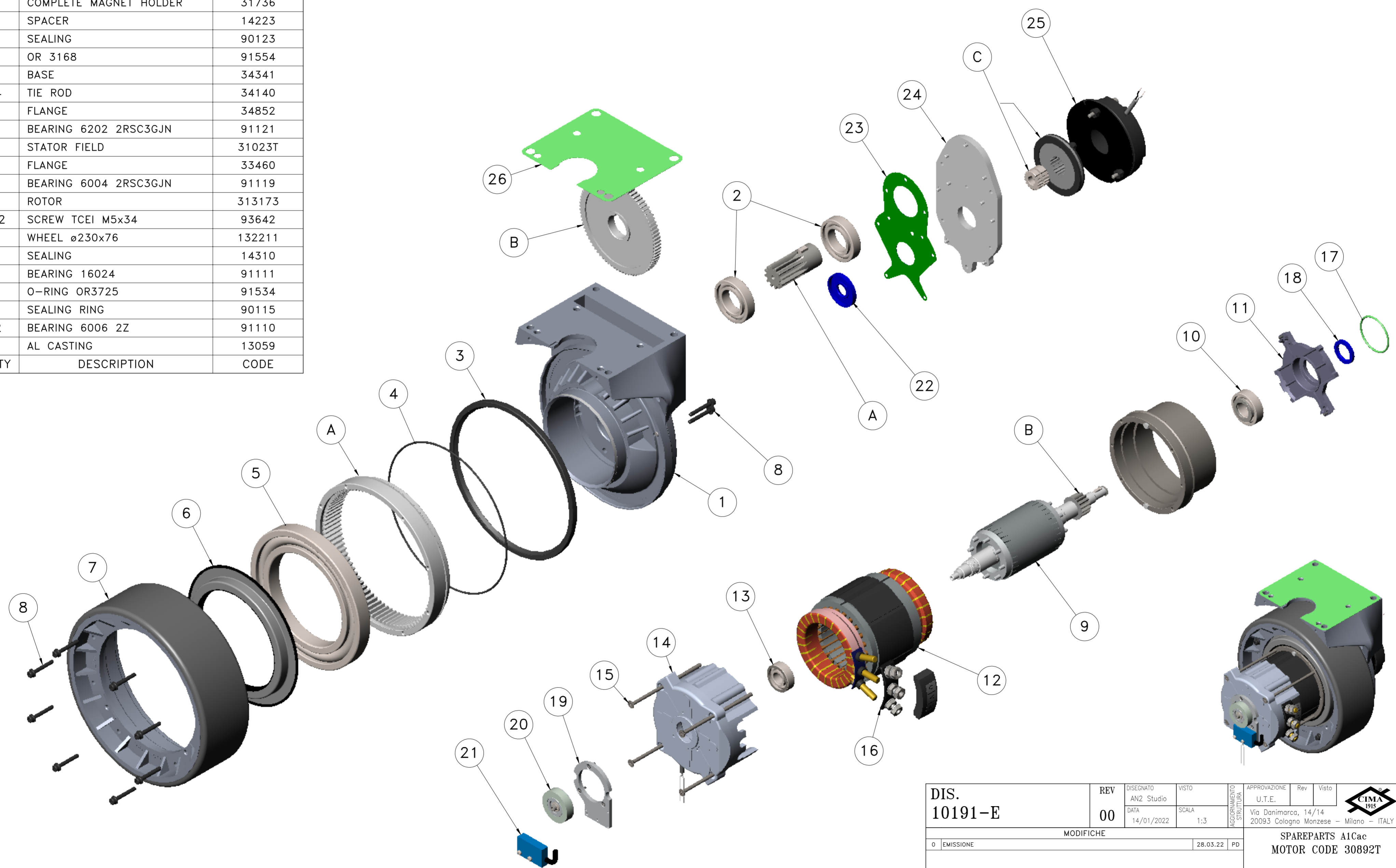


POS.	Q.TY	DESCRIPTION	CODE
26	1	GASKET	13919
25	1	BRAKE \varnothing 104CR	11124
24	1	BRAKE PLATE	13723
23	1	BRAKE PLATE SEAL	13912
22	1	SEALING	90117
21	1	ENCODER ETMR 4096	70039
20	1	COMPLETE MAGNET HOLDER	31736
19	1	SPACER	14223
18	1	SEALING	90123
17	1	OR 3168	91554
16	1	BASE	34341
15	4	TIE ROD	34140
14	1	FLANGE	34852
13	1	BEARING 6202 2RSC3GJN	91121
12	1	STATOR FIELD	31023T
11	1	FLANGE	33460
10	1	BEARING 6004 2RSC3GJN	91119
9	1	ROTOR	313173
8	12	SCREW TCEI M5x34	93642
7	1	WHEEL \varnothing 230x76	132211
6	1	SEALING	14310
5	1	BEARING 16024	91111
4	1	O-RING OR3725	91534
3	1	SEALING RING	90115
2	2	BEARING 6006 2Z	91110
1	1	AL CASTING	13059

C	FERODO	12914
B	GEARS	12903
A	GEARS	12946



DIS. 10191-E	REV	00	DISegnATO	AN2 Studio	VISTO		APPROVAZIONE	U.T.E.	
	DATA	14/01/2022	SCALA	1:3	AGGIORNAMENTO STRUTTURA		Via Danimarca, 14/14 20093 Cologno Monzese - Milano - ITALY		
MODIFICHE							28.03.22	PD	SPAREPARTS A1Cac MOTOR CODE 30892T 24 Vdc / 1200 W WHEEL \varnothing 230x76 ELAST. ANTISKID GREY ABRADED 85Sh Project Nr. 2200001/000
0 EMISSIONE									

CODICE 10191-E