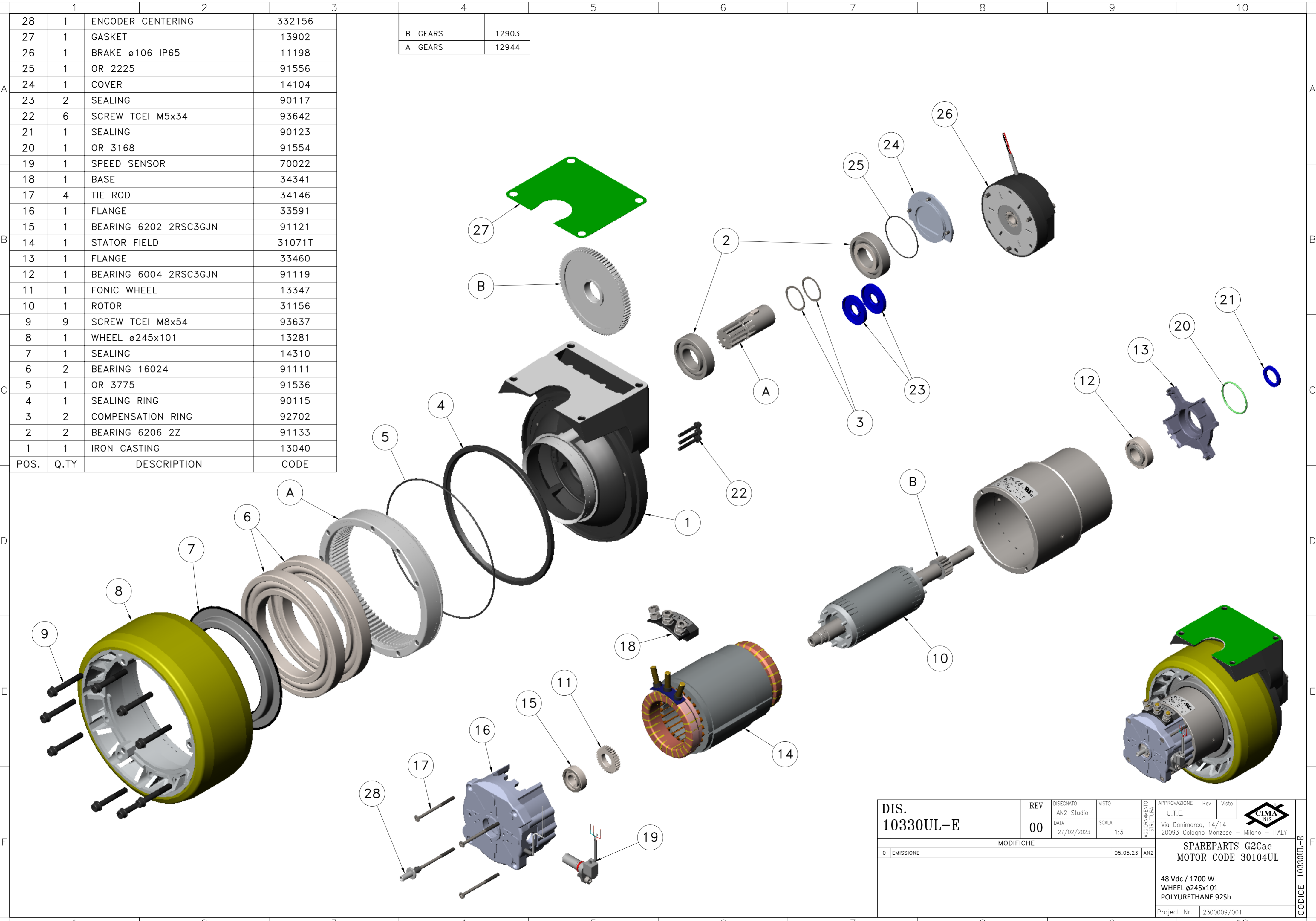


POS.	Q.TY	DESCRIPTION	CODE
28	1	ENCODER CENTERING	332156
27	1	GASKET	13902
26	1	BRAKE ϕ 106 IP65	11198
25	1	OR 2225	91556
24	1	COVER	14104
23	2	SEALING	90117
22	6	SCREW TCEI M5x34	93642
21	1	SEALING	90123
20	1	OR 3168	91554
19	1	SPEED SENSOR	70022
18	1	BASE	34341
17	4	TIE ROD	34146
16	1	FLANGE	33591
15	1	BEARING 6202 2RSC3GJN	91121
14	1	STATOR FIELD	31071T
13	1	FLANGE	33460
12	1	BEARING 6004 2RSC3GJN	91119
11	1	FONIC WHEEL	13347
10	1	ROTOR	31156
9	9	SCREW TCEI M8x54	93637
8	1	WHEEL ϕ 245x101	13281
7	1	SEALING	14310
6	2	BEARING 16024	91111
5	1	OR 3775	91536
4	1	SEALING RING	90115
3	2	COMPENSATION RING	92702
2	2	BEARING 6206 2Z	91133
1	1	IRON CASTING	13040

B	GEARS	12903
A	GEARS	12944



DIS. 10330UL-E	REV	00	DISegnATO	AN2 Studio	VISTO		APPROVAZIONE	U.T.E.	Rev	Visto			
	DATA	27/02/2023	SCALA	1:3	AGGIORNAMENTO STRUTTURA		Via Danimarca, 14/14 20093 Cologno Monzese - Milano - ITALY						
MODIFICHE												SPAREPARTS G2Cac MOTOR CODE 30104UL 48 Vdc / 1700 W WHEEL ϕ 245x101 POLYURETHANE 92Sh Project Nr. 2300009/001	CODICE 10330UL-E
0 EMISSIONE													
05.05.23 ANZ													