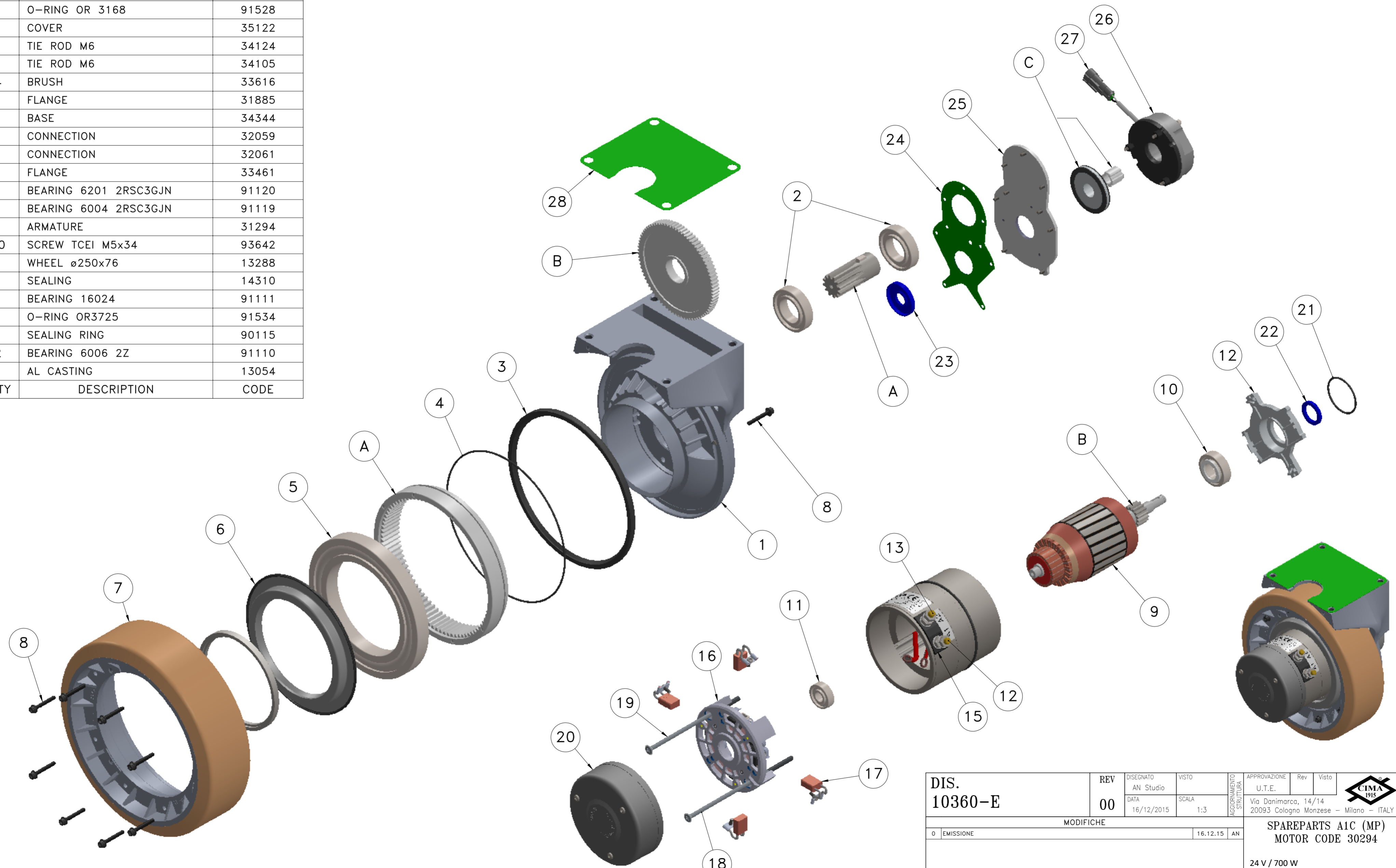


POS.	Q.TY	DESCRIPTION	CODE
28	1	GASKET	13902
27	1	CONNECTOR AMP 2	90739
26	1	BRAKE ϕ 84SR	11104
25	1	BRAKE PLATE	13716
24	1	BRAKE PLATE SEAL	13912
23	1	SEALING	90117
22	1	SEALING	90123
21	1	O-RING OR 3168	91528
20	1	COVER	35122
19	1	TIE ROD M6	34124
18	1	TIE ROD M6	34105
17	4	BRUSH	33616
16	1	FLANGE	31885
15	1	BASE	34344
14	1	CONNECTION	32059
13	1	CONNECTION	32061
12	1	FLANGE	33461
11	1	BEARING 6201 2RSC3GJN	91120
10	1	BEARING 6004 2RSC3GJN	91119
9	1	ARMATURE	31294
8	10	SCREW TCEI M5x34	93642
7	1	WHEEL ϕ 250x76	13288
6	1	SEALING	14310
5	1	BEARING 16024	91111
4	1	O-RING OR3725	91534
3	1	SEALING RING	90115
2	2	BEARING 6006 2Z	91110
1	1	AL CASTING	13054

C	FERODO	12914
B	GEARS	12903
A	GEARS	12946



DIS. 10360-E	REV	00	DISEGNATO	AN Studio	VISTO		APPROVAZIONE	U.T.E.	Rev	Visto	
	DATA	16/12/2015	SCALA	1:3	AGGIORNAMENTO STRUTTURA		Via Danimarca, 14/14 20093 Cologno Monzese - Milano - ITALY				
MODIFICHE											SPAREPARTS A1C (MP) MOTOR CODE 30294 24 V / 700 W WHEEL ϕ 250x76 RUBBER Project Nr. -
0 EMISSIONE											

CODICE 10360-E