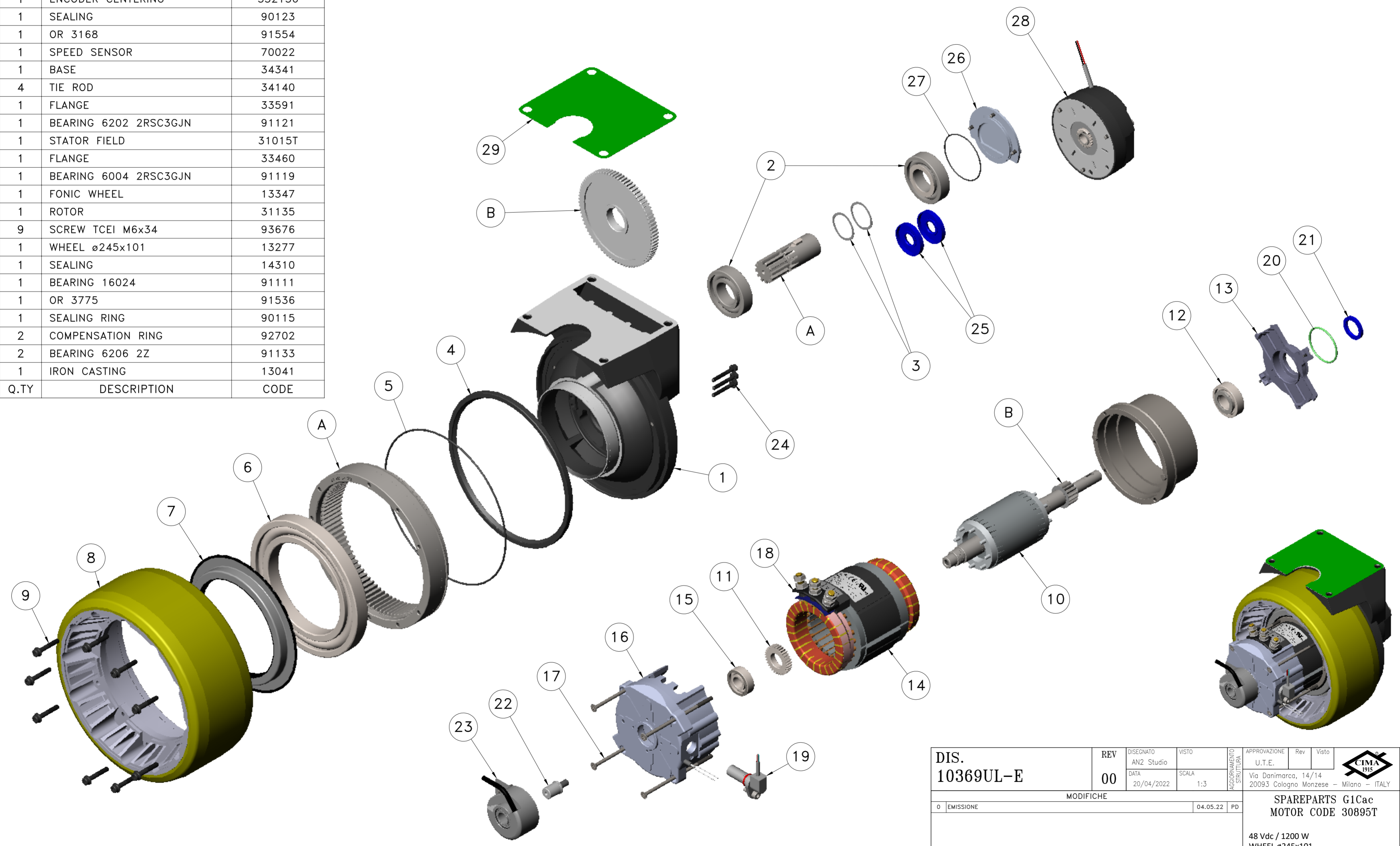


POS.	Q.TY	DESCRIPTION	CODE
29	1	GASKET	13902
28	1	BRAKE $\phi$ 106 IP65	11198
27	1	OR 2225	91556
26	1	COVER	14104
25	2	SEALING	90117
24	6	SCREW TCEI M5x34	93642
23	1	SPEED SENSOR	70033
22	1	ENCODER CENTERING	332136
21	1	SEALING	90123
20	1	OR 3168	91554
19	1	SPEED SENSOR	70022
18	1	BASE	34341
17	4	TIE ROD	34140
16	1	FLANGE	33591
15	1	BEARING 6202 2RSC3GJN	91121
14	1	STATOR FIELD	31015T
13	1	FLANGE	33460
12	1	BEARING 6004 2RSC3GJN	91119
11	1	FONIC WHEEL	13347
10	1	ROTOR	31135
9	9	SCREW TCEI M6x34	93676
8	1	WHEEL $\phi$ 245x101	13277
7	1	SEALING	14310
6	1	BEARING 16024	91111
5	1	OR 3775	91536
4	1	SEALING RING	90115
3	2	COMPENSATION RING	92702
2	2	BEARING 6206 2Z	91133
1	1	IRON CASTING	13041

B	GEARS	12903
A	GEARS	12944



DIS. <b>10369UL-E</b>	REV	00	DISEGNATO	AN2 Studio	VISTO		APPROVAZIONE	U.T.E.	Rev	Visto		
	DATA	20/04/2022	SCALA	1:3	AGGIORNAMENTO STRUTTURA		Via Danimarca, 14/14 20093 Cologno Monzese - Milano - ITALY					
MODIFICHE												<b>SPAREPARTS G1Cac</b> <b>MOTOR CODE 30895T</b>  48 Vdc / 1200 W WHEEL $\phi$ 245x101 POLYURETHANE 92Sh  Project Nr. 2200014/001
0 EMISSIONE												

CODICE 10369UL-E