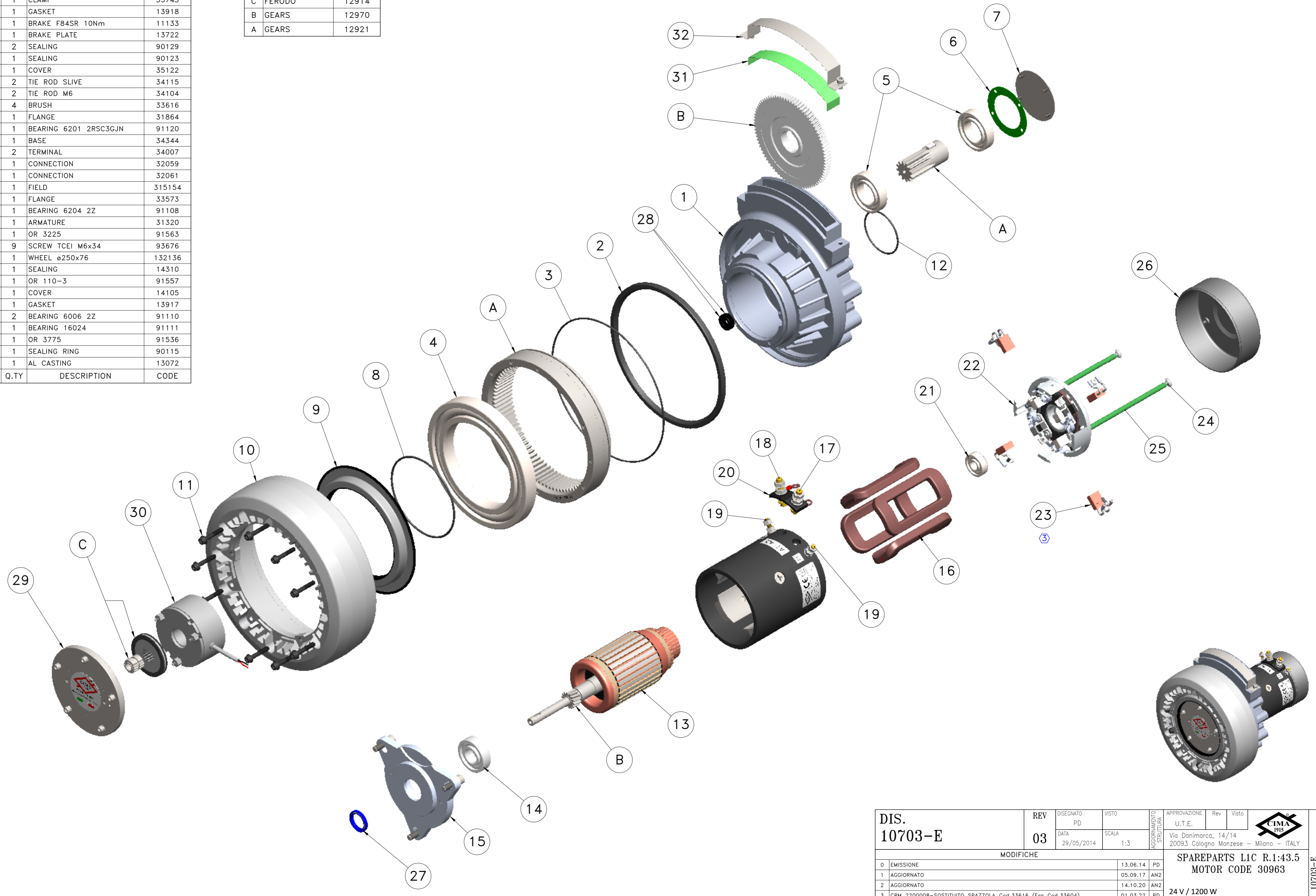



POS.	Q.TY	DESCRIPTION	CODE
32	1	CLAMP	33745
31	1	GASKET	13918
30	1	BRAKE F84SR 10Nm	11133
29	1	BRAKE PLATE	13722
28	2	SEALING	90129
27	1	SEALING	90123
26	1	COVER	35122
25	2	TIE ROD SLIVE	34115
24	2	TIE ROD M6	34104
23	4	BRUSH	33616
22	1	FLANGE	31864
21	1	BEARING 6201 2RSC3GJN	91120
20	1	BASE	34344
19	2	TERMINAL	34007
18	1	CONNECTION	32059
17	1	CONNECTION	32061
16	1	FIELD	315154
15	1	FLANGE	33573
14	1	BEARING 6204 2Z	91108
13	1	ARMATURE	31320
12	1	OR 3225	91563
11	9	SCREW TCEI M6x34	93676
10	1	WHEEL ø250x76	132136
9	1	SEALING	14310
8	1	OR 110-3	91557
7	1	COVER	14105
6	1	GASKET	13917
5	2	BEARING 6006 2Z	91110
4	1	BEARING 16024	91111
3	1	OR 3775	91536
2	1	SEALING RING	90115
1	1	AL CASTING	13072

C	FERODO	12914
B	GEARS	12970
A	GEARS	12921



DIS. 10703-E	REV	03	DESIGNATO	PD	VISTO	U.T.E.	APPROVAZIONE	Rev	Visto	 Via Danimarca, 14/14 20093 Cologno Monzese - Milano - ITALY	
	DATA	29/05/2014	SCALA	1:3	AGGIORNAMENTO STRUTTURA	SPAREPARTS L1C R.1:43.5 MOTOR CODE 30963 24 V / 1200 W WHEEL ø250x76 NON MARKING RUBBER 70±72sh					
MODIFICHE											
0	EMISSIONE									13.06.14	PD
1	AGGIORNATO									05.09.17	AN2
2	AGGIORNATO									14.10.20	AN2
3	CRM 2200008-SOSTITUITO SPAZZOLA									01.03.22	PD
Project Nr. -											